

## HD-WP-4K-401-C

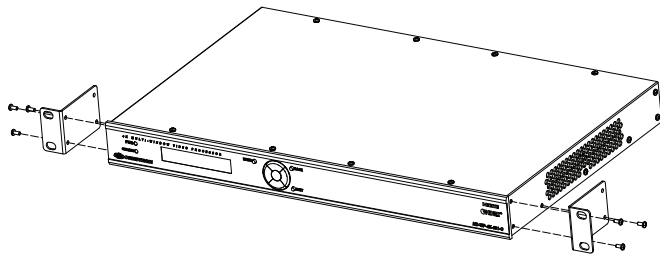
### 4K Multi-Window Video Processor

#### DO Install the Device

The Crestron® HD-WP-4K-401-C can be mounted into a rack or placed onto a flat surface.

#### Mounting into a Rack

The HD-WP-4K-401-C occupies 1 RU of rack space. Using a #1 or #2 Phillips screwdriver, attach the two included rack ears to the device. Then, mount the device into the rack using four mounting screws (not included).



#### Placing onto a Flat Surface

When placing the device onto a flat surface or stacking it with other equipment, attach the included feet near the corners on the underside of the device.

#### DO Connect the Device and Present the Audio/Video Content

Out-of-the box functionality automatically allows the simultaneous display of all connected audio/video sources on an HDMI® display without the need for additional programming or configuration. If one source is connected, one full-screen window appears on the display. If two sources are connected, two side-by-side windows of equal size appear vertically centered on the display. If three sources are connected, three windows of equal size appear on the display (two side-by-side windows above one centered window). If four sources are connected, four windows of equal size appear on the display.

**NOTE:** Audio is transmitted only when a single full-screen window is displayed. If multiple windows are displayed, the audio from all sources is muted.

Using the HD-WP-4K-401-C out-of-the box functionality, do the following:

1. Connect up to two HDMI displays to the HD-WP-4K-401-C as required for the application. One HDMI display connects to the HDMI output of the HD-WP-4K-401-C. The other HDMI display connects to the HDBT (HDBaseT™) output of the HD-WP-4K-401-C via a DM 8G+® receiver, DigitalMedia™ switcher, or DM-DGE-200-C Digital Graphics Engine. The HDBT output can also connect directly to any display device equipped with an HDBaseT input.

#### DO Check the Box

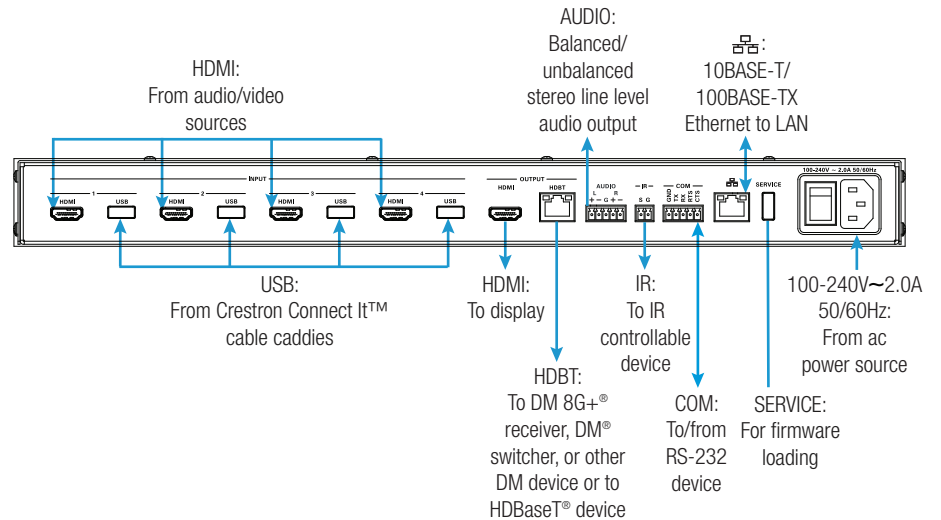
QTY	PRODUCT	COLOR	PART NUM.
2	Bracket, Rack Ear, 1U		2044524
1	Connector, 2-Pin		2003574
2	Connector, 5-Pin		2003577
4	Foot, 0.5" x 0.5" x 0.23", Adhesive	Black	2002389
1	Power Cord, 6'6" (2 m)		2047440

2. Connect up to four HDMI sources to the HDMI inputs of the HD-WP-4K-401-C. All connected sources appear on the display in the corresponding window configuration.

**NOTE:** If both the HDMI and HDBT outputs are connected, the HDBT output display mirrors the HDMI output display.

3. (Optional) Connect up to four Crestron Connect It™ cable caddies to the USB input ports of the HD-WP-4K-401-C. Press a button on a cable caddy while the LED is blue to display the associated source as a full-screen window on the display. Press the button again while the LED is green to allow the display to return to the previous configuration (two, three, or four windows).

The following illustration provides information about each of the connections that can be made to the HD-WP-4K-401-C.



**NOTE:** The HDBT port of the HD-WP-4K-401-C is an HDBaseT PoE+ (Power over Ethernet Plus) PSE (Power Sourcing Equipment) port that complies with the IEEE 802.3at standard. Any wiring that is connected to an HDBaseT PoE+ PSE port is for intrabuilding use only and should not be connected to a line that runs outside of the building in which the PSE is located.

Connect the HDBT port to HDBaseT or DigitalMedia equipment only—do not connect the HDBaseT port to an Ethernet network.

**NOTE:** Interlaced video signals are not supported. A Crestron HD-SCALER-HD-E video scaler may be added to any HDMI input to enable support for interlaced video sources on that input.



## DO Configure the Device

If additional configuration of the device is required, use the web interface to configure the device. To access the web interface, open a web browser and then go to the IP address of the device.

**NOTE:** By default, DHCP is enabled. After power is applied to the device, the IP address appears on the front panel display.

To log in to the web interface, enter the user name and password. The default user name is *admin* and the default password is *admin*. For additional information, refer to the HD-WP-4K-401-C Supplemental Guide (Doc. 7901) at [www.crestron.com/manuals](http://www.crestron.com/manuals).

## DO Learn More

Visit the website for additional information and the latest firmware updates. To learn more about this product, use a QR reader application on your mobile device to scan the QR image.

**Crestron Electronics**  
15 Volvo Drive, Rockleigh, NJ 07647  
888.CRESTRON | [www.crestron.com](http://www.crestron.com)



**CE** As of the date of manufacture, the product has been tested and found to comply with specifications for CE marking.

### Federal Communications Commission (FCC) Compliance Statement

This device complies with part 15 of the FCC Rules. Operation is subject to the following two conditions:

(1) This device may not cause harmful interference, and (2) this device must accept any interference received, including interference that may cause undesired operation.

**CAUTION:** Changes or modifications not expressly approved by the manufacturer responsible for compliance could void the user's authority to operate the equipment.

**NOTE:** This equipment has been tested and found to comply with the limits for a Class B digital device, pursuant to part 15 of the FCC Rules. These limits are designed to provide reasonable protection against harmful interference in a residential installation. This equipment generates, uses and can radiate radio frequency energy and, if not installed and used in accordance with the instructions, may cause harmful interference to radio communications. However, there is no guarantee that interference will not occur in a particular installation.

If this equipment does cause harmful interference to radio or television reception, which can be determined by turning the equipment off and on, the user is encouraged to try to correct the interference by one or more of the following measures:

- Reorient or relocate the receiving antenna.
- Increase the separation between the equipment and receiver.
- Connect the equipment into an outlet on a circuit different from that to which the receiver is connected.
- Consult the dealer or an experienced radio/TV technician for help.

**Industry Canada (IC) Compliance Statement**  
CAN ICES-3(B)/NMB-3(B)

### Rack Mounting Safety Precautions

- **Elevated Operating Ambient Temperature:** If installed in a closed or multi-unit rack assembly, the operating ambient temperature of the rack environment may be greater than room ambient temperature. Therefore, consideration should be given to installing the equipment in an environment compatible with the maximum ambient temperature (T<sub>ma</sub>) specified by the manufacturer.
- **Reduced Airflow:** Installation of the equipment in a rack should be such that the amount of airflow required for safe operation of the equipment is not compromised.
- **Mechanical Loading:** Mounting of the equipment in the rack should be such that a hazardous condition is not achieved due to uneven mechanical loading.
- **Circuit Overloading:** Consideration should be given to the connection of the equipment to the supply circuit and the effect that overloading of the circuits might have on overcurrent protection and supply wiring. Appropriate consideration of equipment nameplate ratings should be used when addressing this concern.
- **Reliable Earthing:** Reliable earthing of rack-mounted equipment should be maintained. Particular attention should be given to supply connections other than direct connections to the branch circuit (e.g., use of power strips).

The specific patents that cover Crestron products are listed at <http://www.crestron.com/legal/patents>.

The product warranty can be found at [www.crestron.com/warranty](http://www.crestron.com/warranty).

Certain Crestron products contain open source software. For specific information, please visit [www.crestron.com/opensource](http://www.crestron.com/opensource).

Crestron, the Crestron logo, Crestron Connect It, DigitalMedia, DM, and DM 8G+ are either trademarks or registered trademarks of Crestron Electronics, Inc. in the United States and/or other countries. HDBaseT and the HDBaseT Alliance logo are either trademarks or registered trademarks of the HDBaseT Alliance in the United States and/or other countries. HDMI and the HDMI logo are either trademarks or registered trademarks of HDMI Licensing LLC in the United States and/or other countries. Other trademarks, registered trademarks, and trade names may be used in this document to refer to either the entities claiming the marks and names or their products. Crestron disclaims any proprietary interest in the marks and names of others. Crestron is not responsible for errors in typography or photography.

This document was written by the Technical Publications department at Crestron.

©2017 Crestron Electronics, Inc.