

## Crestron Flex Medium to Large Room Conference Solution with All-In-One Videobar 70 for Zoom Rooms® Software

The UC-B70-A-Z and UC-B70-A-Z-I Crestron Flex tabletop conferencing systems provide a medium to large room video conference solution for use with Zoom Rooms® software. The UC-B70-A-Z and UC-B70-A-Z-I feature a 10.1 in. tabletop touch screen, Crestron Videobar 70 with intelligent high-definition video and audio, a PoE injector, and cables. The UC-B70-A-Z and UC-B70-A-Z-I also support up to two video displays (not included).

**The latest firmware must be loaded onto the touch screen prior to operation. Refer to the touch screen [product page](#) to download the latest device firmware.**

### Minimum Requirements:

- A video display (not included) connected to the Crestron Videobar 70. A second or third display is optional.
- A Zoom Rooms account or activation code (not included).



### In the Box

#### Tabletop Touch Screen Device

- 1 10 in. Tabletop Touch Screen (6513439)
- 1 Grommet, Cable, Closed (2055455)
- 1 Grommet, Cable, Open (2055456)
- 1 Cover, Cable compartment (2055457)

#### Crestron Videobar 70

- 1 Crestron Videobar 70 (6512358 or 6512360)
- 2 Screw, M5 X 16 mm (2062699)
- 1 Power Adapter, DC, (2062700)

- 1 Power Cable, AC (2062701)
- 2 Inner Screw, Hex, M5 X 16 mm (2062702)
- 3 Wall Screw, Self Tap, 1.25 in. (32 mm) (2062704)
- 3 Anchor, White (2062705)
- 1 Wall Anchor Key (2062716)
- 1 Cable Shroud, Phoenix (2062717)
- 1 Wall Bracket, Black (2062718)

#### Additional Items

- 1 Cable, CAT5e, RJ-45 - RJ-45, 7 ft (2.1 m) (6509924)
- 1 Cable, CAT6a, RJ-45 - RJ-45, 20 ft (6.1 m) (6507640)
- 2 Cable, HDMI® 2.1, 6 ft (1.8 m) (6512150)
- 1 Cable, HDMI 2.1, 9 ft (2.7 m) (6512151)
- 1 PoE injector (6502429)

## Crestron Flex Medium to Large Room Conference Solution with All-In-One Videobar 70 for Zoom Rooms® Software

### Mount the Crestron Videobar 70

The videobar can be placed on a flat surface or mounted on a wall.

#### Mount on a Wall

The videobar includes anchors that are suitable for mounting it on sheetrock walls up to 1/2 in. (13 mm) thickness. Masonry and other materials may require additional installer-supplied mounting hardware.

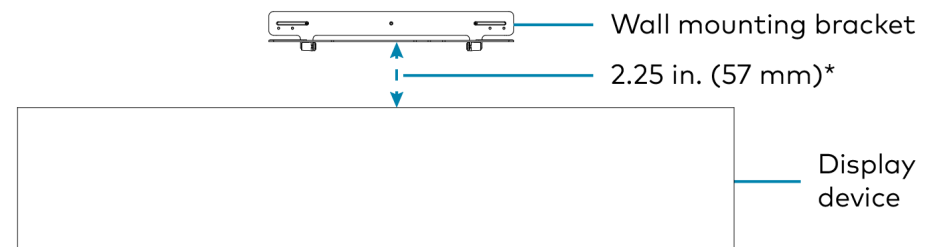
**NOTE:** A template is included as a reference for drilling holes for the wall mounting bracket. Use the template to maintain sufficient clearance between the videobar and the display device.

The following tools are required to mount the videobar:

- Drill with 5/16 in. bit (not included)
- #1 Philips screwdriver (not included)

#### Preparing the Wall Mounting Surface

- For optimal viewing results, the videobar should be installed at a minimum height of 42 in. (1066 mm) or higher from the floor depending on the height of the table in front of it.
- A minimum distance of 2.25 in. (57 mm) should be maintained between the wall mounting bracket and the display device.

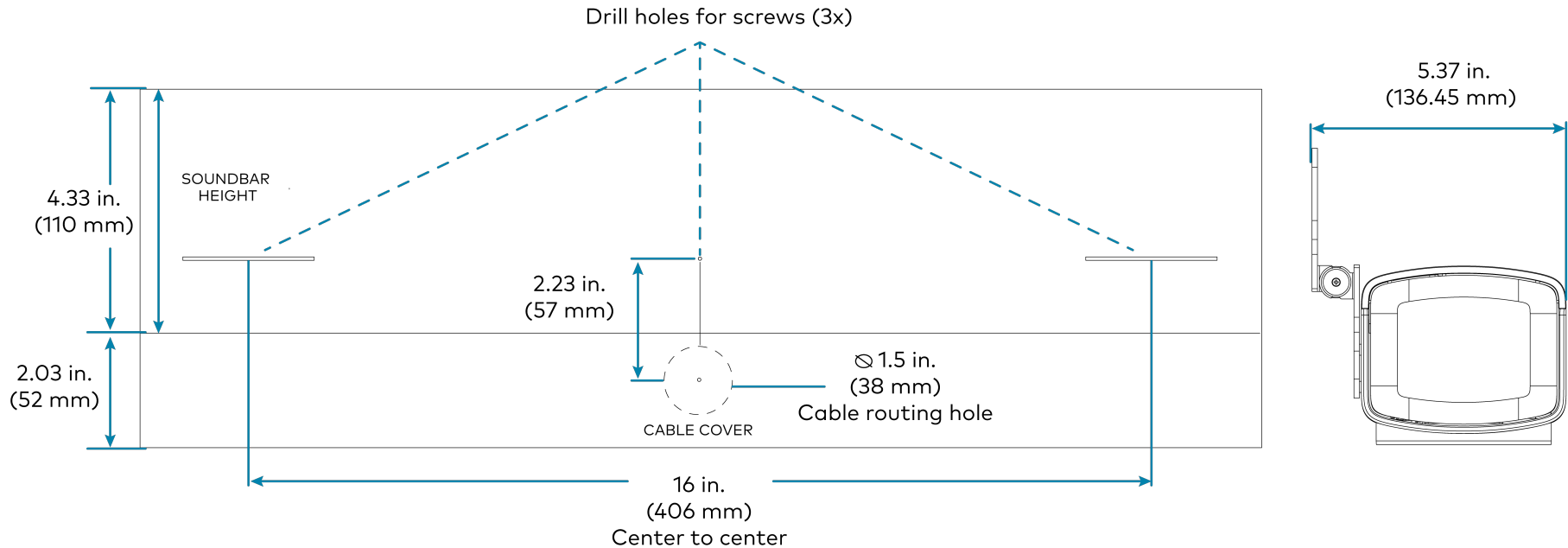


- \* Minimum distance between the wall mounting bracket and the display device

## Crestron Flex Medium to Large Room Conference Solution with All-In-One Videobar 70 for Zoom Rooms® Software

### Mount the Wall Bracket

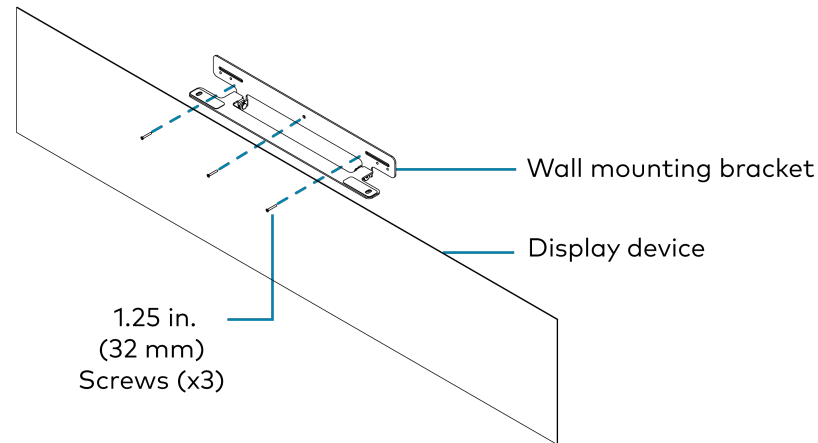
1. Attach the template to the desired mounting location.



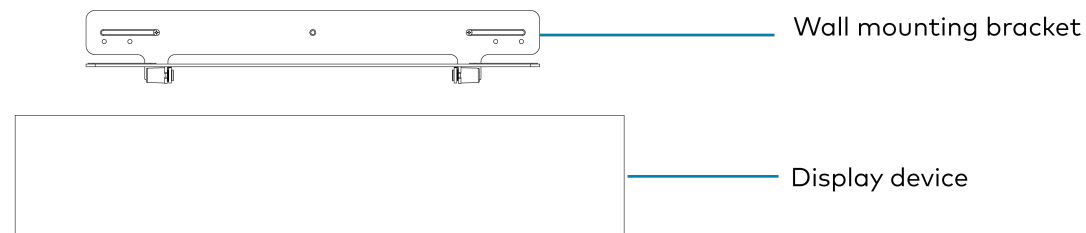
2. Drill three holes for the 1.25 in. (32 mm) wall screws and one 1.5 in. (38 mm) hole for cable routing as shown in the diagram.
3. Install the three included wall anchors into the drilled holes. Then, insert the anchor key to pop open and lock the anchors behind the hollow wall (not required for thick or solid walls).

## Crestron Flex Medium to Large Room Conference Solution with All-In-One Videobar 70 for Zoom Rooms® Software

4. Position the wall mounting bracket over the anchors, and insert the 1.25 in. (32 mm) screws into the holes.



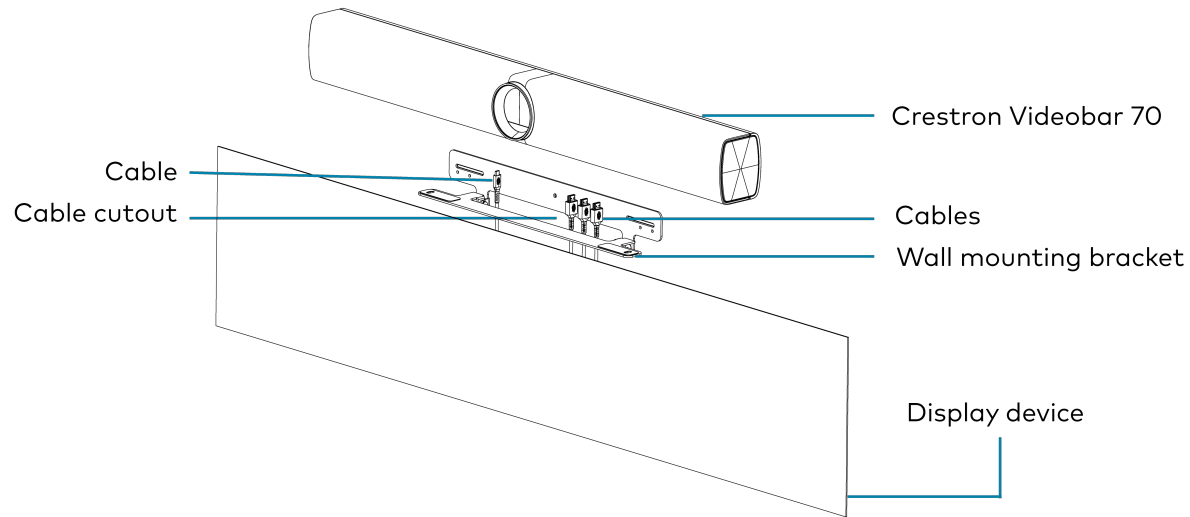
5. Tighten the screws with a #1 Philips screwdriver until the bracket is secured to the wall.



6. Place the videobar on the bracket aligning the screw holes on the bottom of the device with the holes on the bracket.
7. Insert the M5 X 16 mm hex screws (2062702) or M5 X 16 mm screws (2062699, security) from beneath the bracket and then through the holes on the bottom of the videobar.
8. Adjust the screws to keep the videobar secured to the bracket but do not tighten them.
9. Tilt the bracket down and place the videobar face down.

## Crestron Flex Medium to Large Room Conference Solution with All-In-One Videobar 70 for Zoom Rooms® Software

10. Route the cables through the cable cutout in the bracket and connect the cables to the videobar's ports as described in [Connect](#).

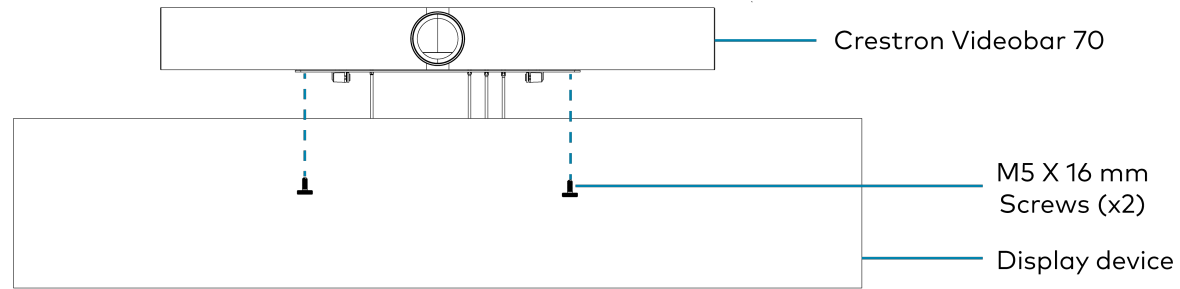


11. Place the videobar face up and tilt the bracket up.

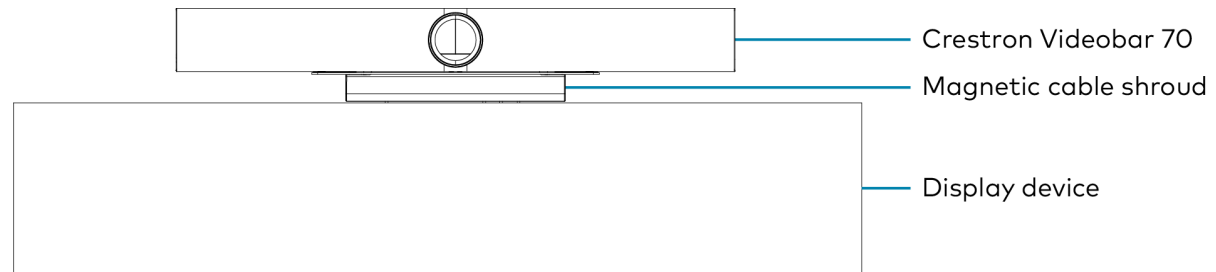
12. Push the videobar back to lock it with the bracket.

## Crestron Flex Medium to Large Room Conference Solution with All-In-One Videobar 70 for Zoom Rooms® Software

13. Tighten the M5 X 16 mm hex screws (2062702) or M5 X 16 mm screws (2062699, security) from beneath the bracket to secure the videobar to the bracket.



14. Attach the magnetic cable shroud to the sound bar to hide the exposed connected wires and cables.

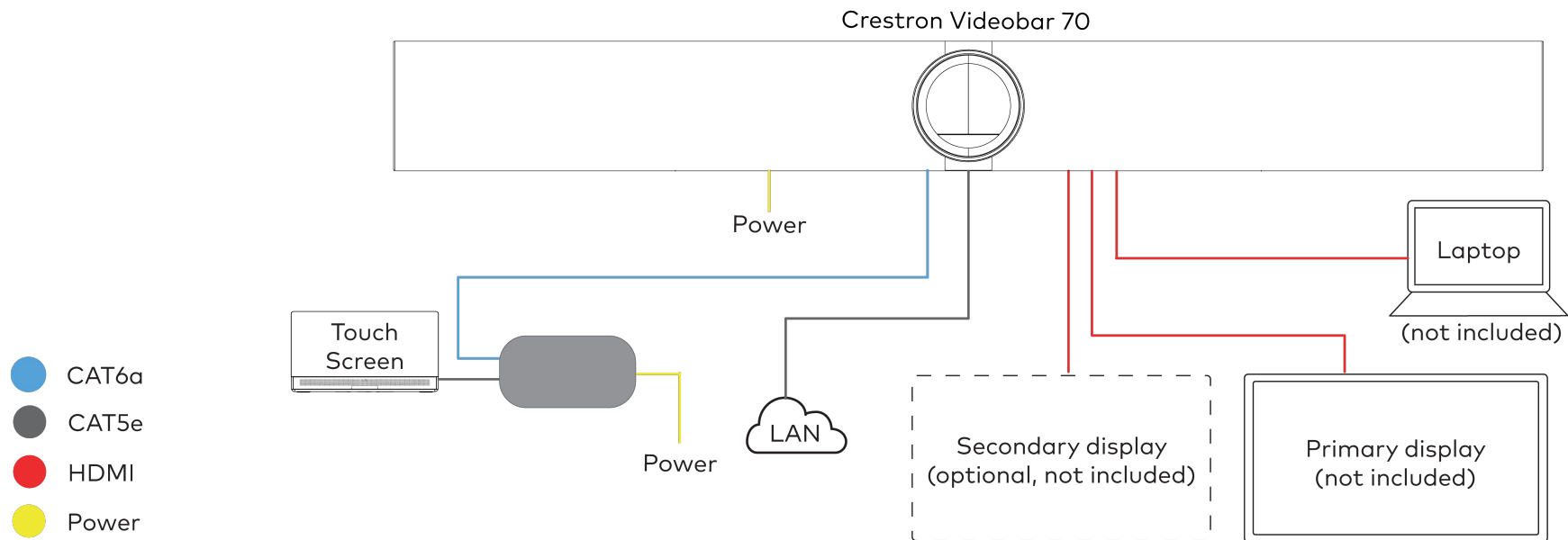


## Crestron Flex Medium to Large Room Conference Solution with All-In-One Videobar 70 for Zoom Rooms® Software

### Connect

### System Overview

When connections are complete, the system appears as shown below. Refer to [Make Connections](#) for detailed connection instructions.

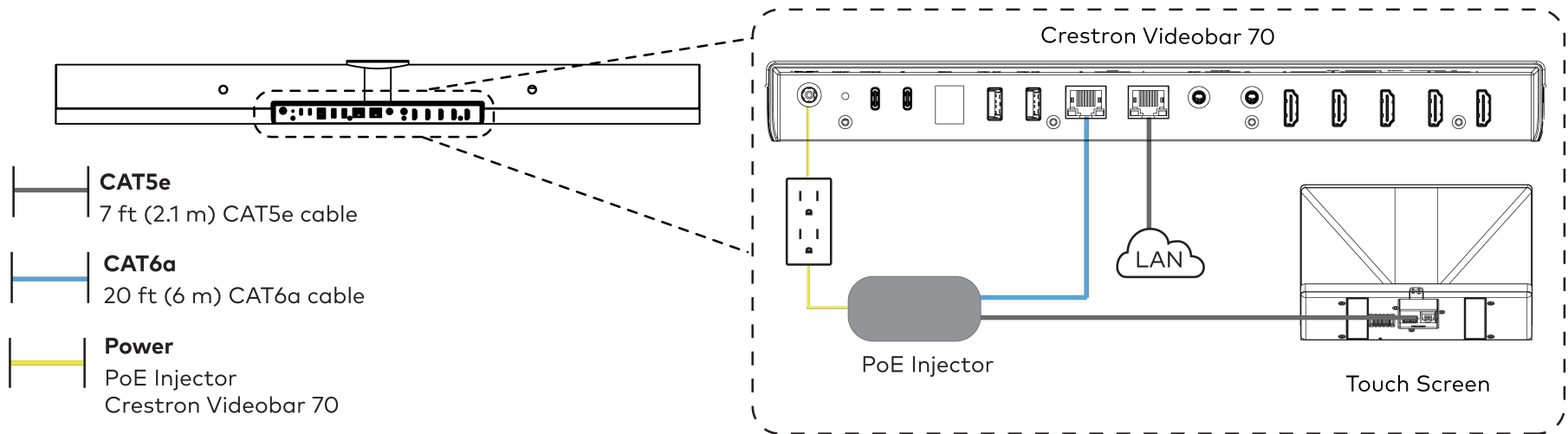


## Crestron Flex Medium to Large Room Conference Solution with All-In-One Videobar 70 for Zoom Rooms® Software

### Make Connections

1. Make a direct connection for simple installation and setup by connecting the touch screen's PoE injector to the videobar.

#### Direct Connection

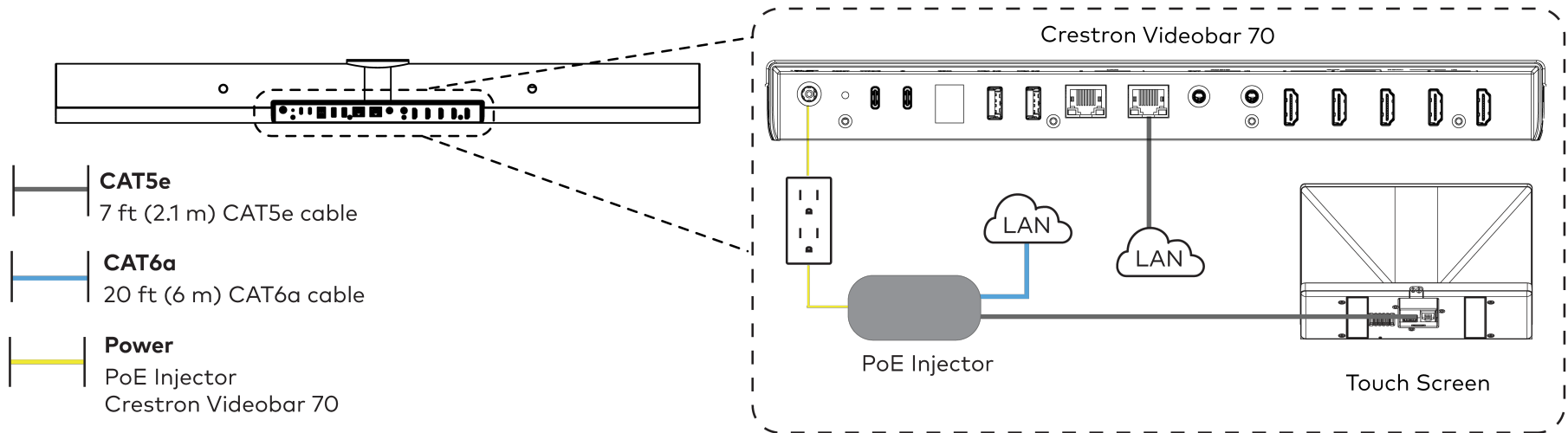




## Crestron Flex Medium to Large Room Conference Solution with All-In-One Videobar 70 for Zoom Rooms® Software

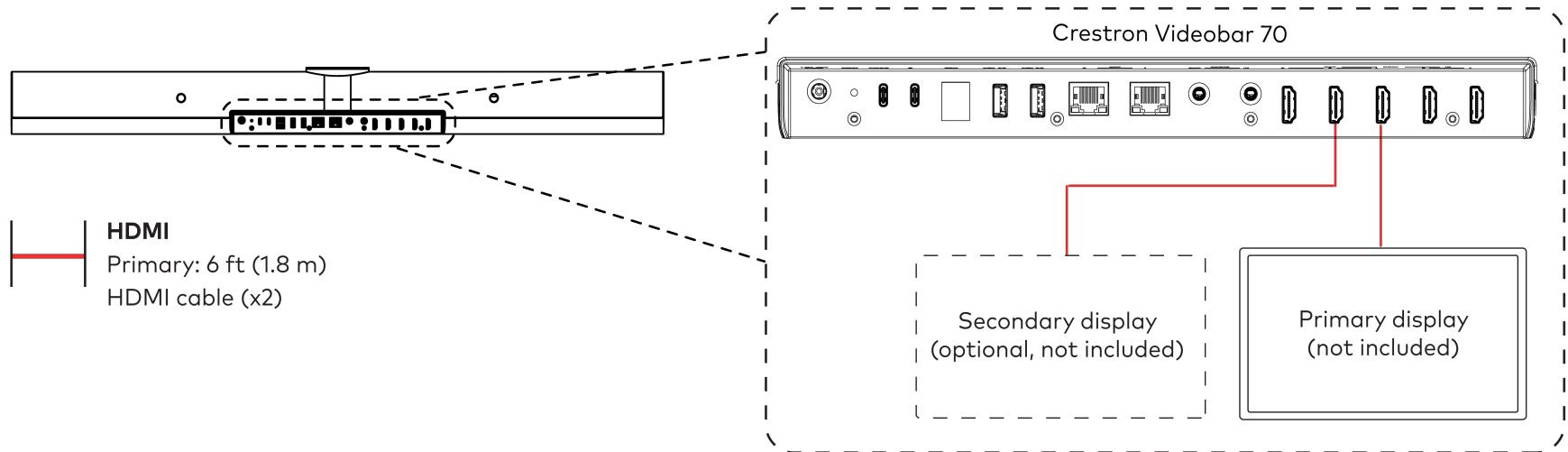
2. Make a network connection.

### Network Connection

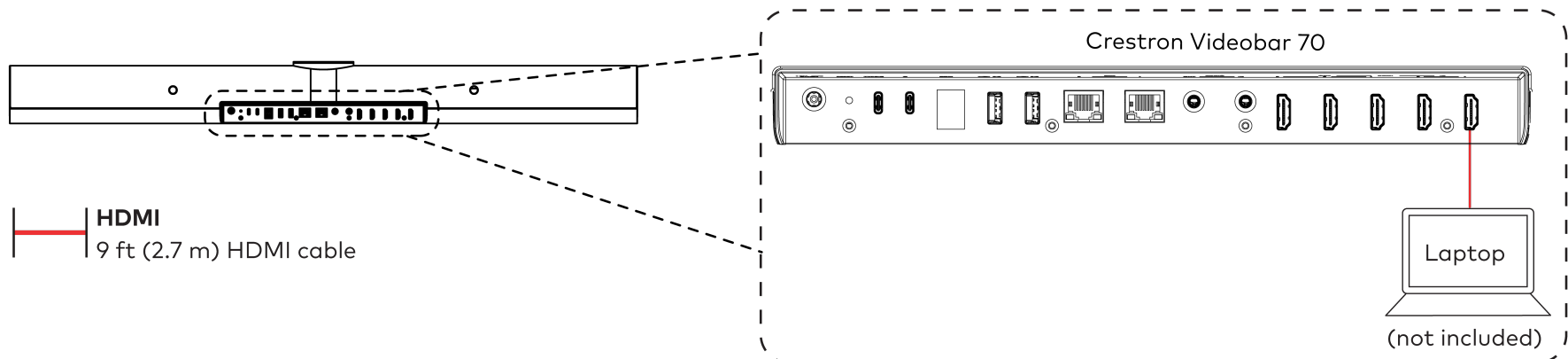


## Crestron Flex Medium to Large Room Conference Solution with All-In-One Videobar 70 for Zoom Rooms® Software

3. Connect the displays (not included) to the videobar.



4. Connect a laptop (not included) to the videobar.



## Crestron Flex Medium to Large Room Conference Solution with All-In-One Videobar 70 for Zoom Rooms® Software

### Observe the LEDs

Refer to the following table for information about the LED indicators on the videobar.

LED Indicator	Function	Color	Behavior	Indication
LED Ring	Mute	Red	Solid	Audio is muted.
	Unmute	Green	Solid	Audio is unmuted.
	Booting Status	Green	Blinking (1/4s On, 1/4s Off)	The videobar is under booting process.
	Firmware Status	Green	Blinking (1s On, 1s Off)	The firmware is being updated.

### Factory Restore

To factory restore the videobar:

1. Ensure the videobar is connected to the display to view the restore process.
  2. Press and hold the recessed **RESET** button on the back of the videobar (using a paper clip or a similar tool) for ten seconds to initiate the factory restore.
  3. Release the button when the "Factory Data Reset" message appears on the display.  
The system will display a black screen if the **RESET** button is not released when the "Factory Data Reset" message is displayed. Power cycle and repeat step 1.
- NOTE:** The factory restore erases all user data, and the videobar returns to its initial booting status.
4. After rebooting, perform a soft restore using the web UI to enable the authentication again.

## Crestron Flex Medium to Large Room Conference Solution with All-In-One Videobar 70 for Zoom Rooms® Software



### Configure

#### Apply Power

Apply power to the videobar and the other devices in the system.

#### Setup and Update the Videobar

1. Connect the videobar to the internet to upgrade the firmware automatically.
2. After the upgrade, a pairing code appears on the display to be entered on the connected touch screen.
3. Enter the code to pair the touch screen with the display.

#### Log In to the Zoom Rooms Service using the Touch Screen

1. Select **Zoom Room Controller** from the options to confirm the use of the touch screen as a Zoom Rooms controller, and tap **Next**.
2. Enter the pairing code shown on the display to pair the touch screen with the videobar. The Zoom Rooms controller app is displayed.
3. Tap **Sign in** to sign in to Zoom Rooms service with an activation code or email.
  - **Activation Code:**
    - a. Tap **Enter Activation Code**.
    - b. Enter the 16-digit activation code provided by the administrator to activate the Zoom Room that is assigned to the activation code. The Zoom Rooms Conference Room screen is shown on the display.
  - **Email:**
    - a. Enter the email credentials and tap **Sign In**.
    - b. Select the conference room name from the list and tap **Next**. The Zoom Rooms Conference Room screen is shown on the display.

## Crestron Flex Medium to Large Room Conference Solution with All-In-One Videobar 70 for Zoom Rooms® Software



### Visit the Product Page

Scan the QR code to visit the product page.

UC-B70-A-Z



[www.crestron.com/model/6513241](http://www.crestron.com/model/6513241)

UC-B70-A-Z-I



[www.crestron.com/model/6513243](http://www.crestron.com/model/6513243)

### Additional Information

#### Original Instructions

The U.S. English version of this document is the original instructions. All other languages are a translation of the original instructions.

Crestron product development software is licensed to Crestron dealers and Crestron Service Providers (CSPs) under a limited nonexclusive, nontransferable Software Development Tools License Agreement. Crestron product operating system software is licensed to Crestron dealers, CSPs, and end-users under a separate End-User License Agreement. Both of these Agreements can be found on the Crestron website at [www.crestron.com/legal/software\\_license\\_agreement](http://www.crestron.com/legal/software_license_agreement).

The product warranty can be found at [www.crestron.com/warranty](http://www.crestron.com/warranty).

The specific patents that cover Crestron products are listed at [www.crestron.com/legal/patents](http://www.crestron.com/legal/patents).

Certain Crestron products contain open source software. For specific information, visit [www.crestron.com/opensource](http://www.crestron.com/opensource).

Crestron, and Crestron logo are either trademarks or registered trademarks of Crestron Electronics, Inc. in the United States and/or other countries. HDMI is either a trademark or registered trademark of HDMI Licensing LLC in the United States and/or other countries. USB is either a trademark or registered trademark of USB Implementers Forum, Inc. in the United States and/or other countries. Zoom Rooms is either a trademark or registered trademark of Zoom Video Communications, Inc. in the United States and/or other countries. Other trademarks, registered trademarks, and trade names may be used in this document to refer to either the entities claiming the marks and names or their products. Crestron disclaims any proprietary interest in the marks and names of others. Crestron is not responsible for errors in typography or photography.

©2024 Crestron Electronics, Inc.

Doc. 9470A

03/28/24